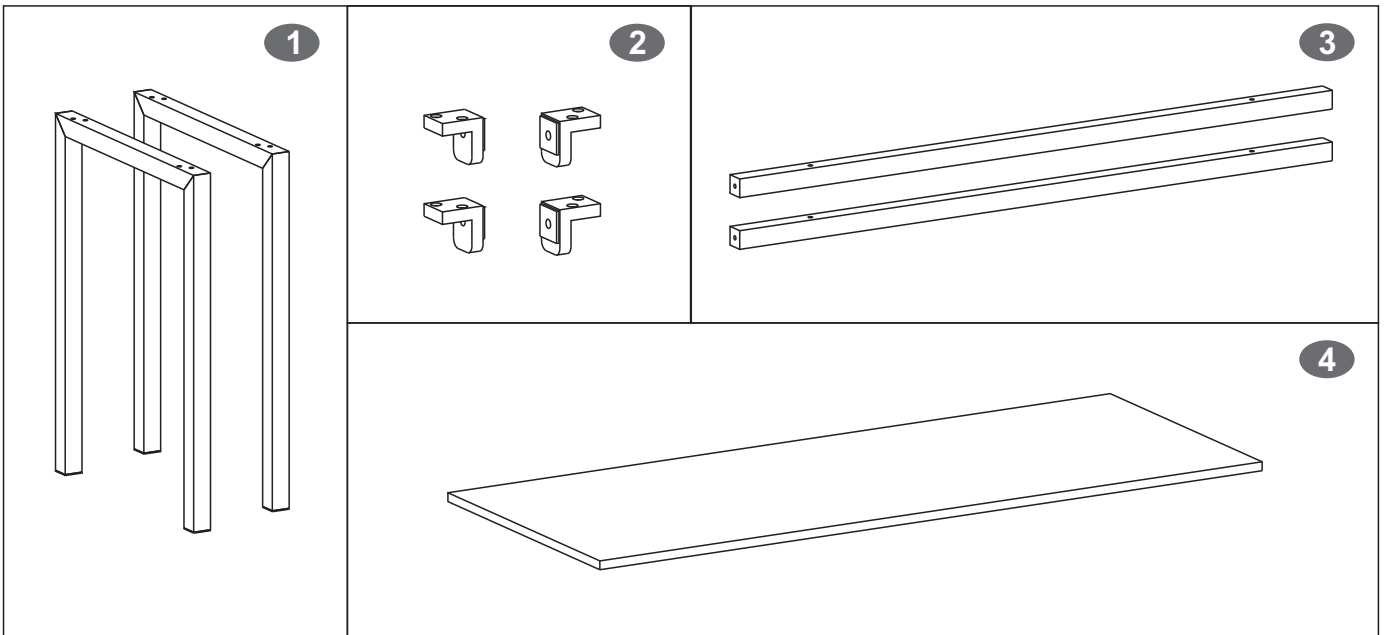
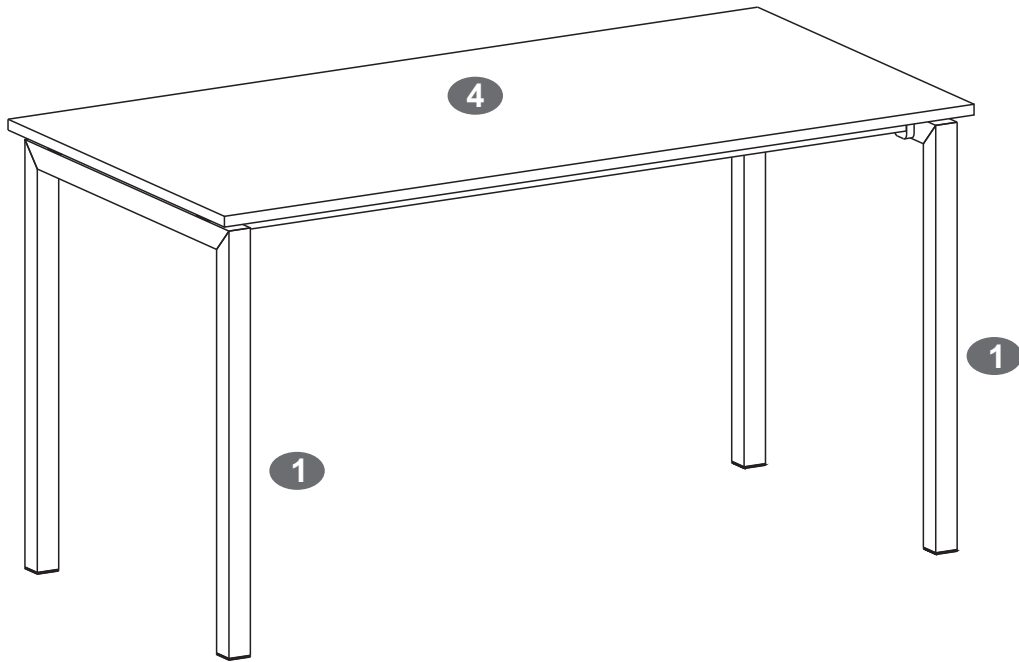
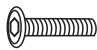
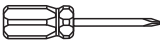
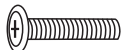






▀ PARTS LIST

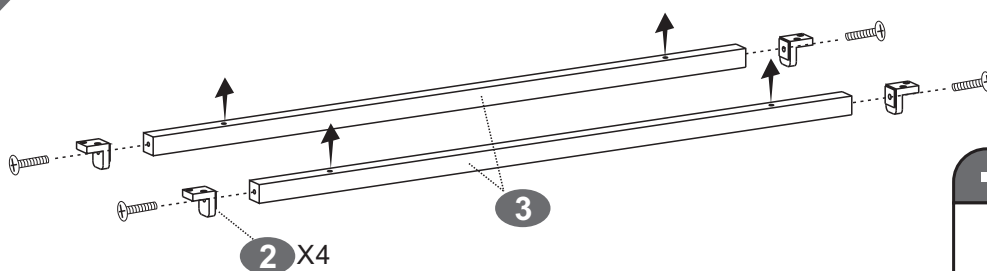


## ▪ SCREWS LIST

PART	QTY.	ITEM		PART	QTY.	ITEM	
<b>A</b>	8	6X20 MM			1		
<b>B</b>	4	8X25 MM			1		
<b>C</b>	4	6X50 MM					

## ▪ ASSEMBLY STEPS:

1



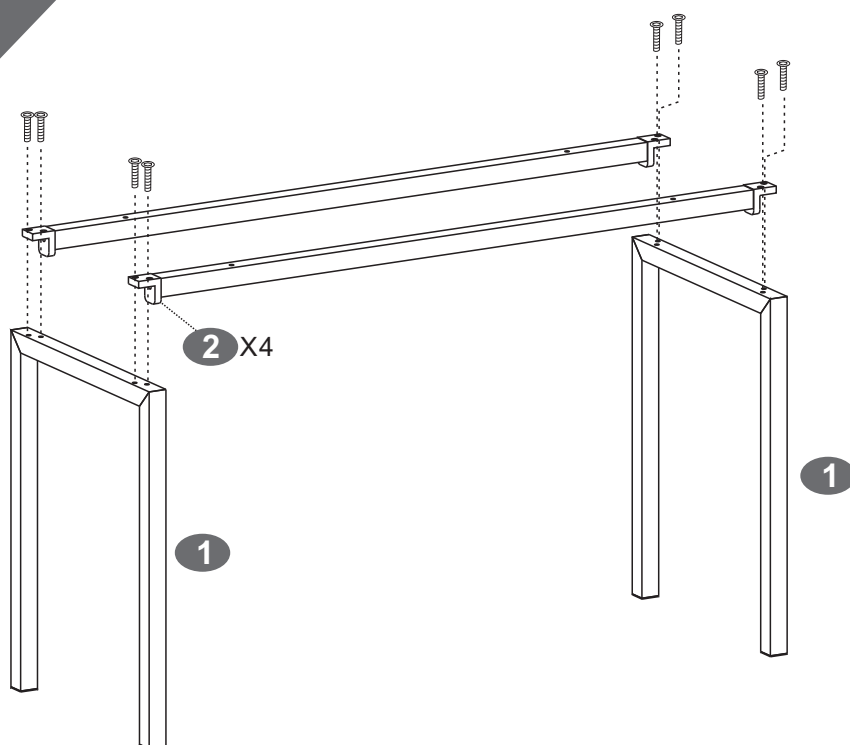
### ▪ SCREWS

**B** 8X25 MM

 4PCS



2



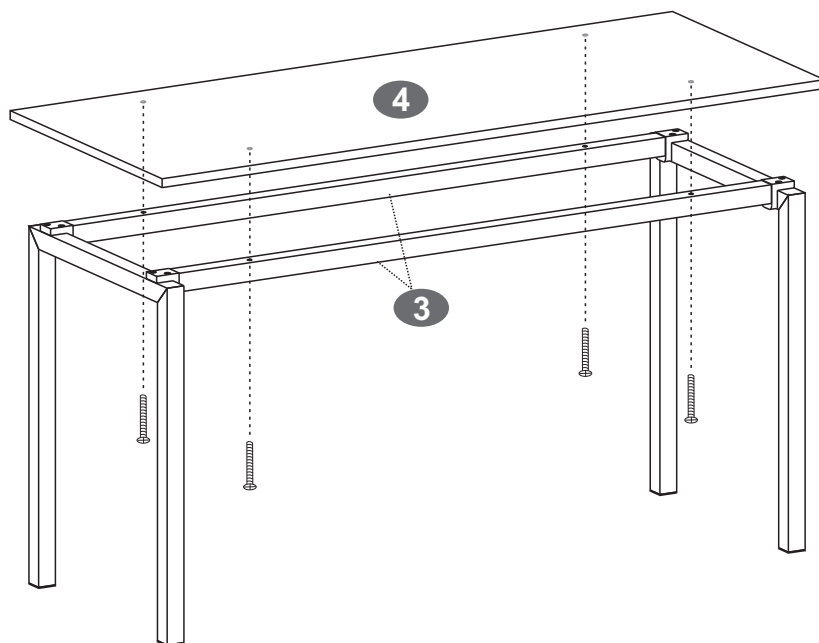
### ▪ SCREWS

**A** 6X20 MM

 8PCS



3



■ SCREWS

**C** 6X50 MM

 4PCS



4

